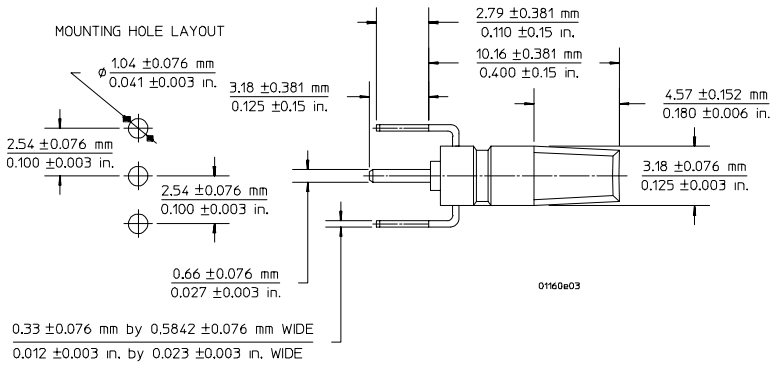


# Design Guide

## Agilent N2768A and N2766A Vertical and Horizontal Mini-Probe Sockets

Use the following dimensions for planning board layout.

### Agilent N2768A vertical mini-probe socket.



### Agilent N2766A horizontal mini-probe socket.

